

# T-CP SMALL BAR CUTTER



# T-CP SMALL BAR CUTTER

## USE

It is designed to cut moulded blocks of chocolate with almond nougat and hard nougat "Turrón de Alicante" (caramelized honey with almonds) into small bars.

## CONSTRUCTION

The machine is constructed of 18/8 AISI-304 standard stainless steel throughout. It is provided with four feet with rubber buffers, which are adjustable in height. Cutting is performed by multiple circular saws of Ø150x1'5 with a separation between them. The machine is provided with a space where you can place a box to catch the shavings produced by cutting the block of nougat.

## OPERATION

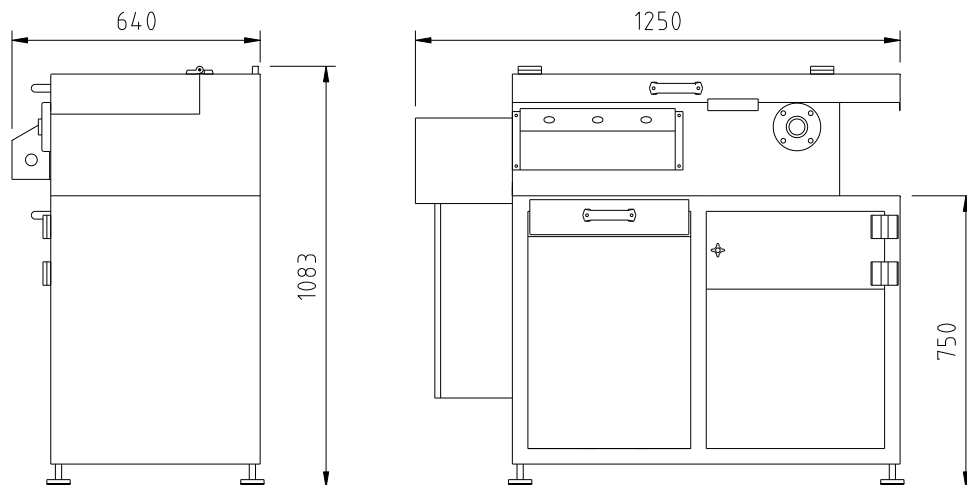
Turn the machine on by pressing the start button on the control panel. Introduce the nougat block into the loading opening until can't go any further. Together, press the two advance buttons that are located in the control panel. Once the cut is made, press the reverse button so that the carriage returns to its loading position. Repeat the process as many times as desired, then press the stop button that is also located in the control panel.

The speed of the cutting blades and of the advance of the block carrier can be regulated to obtain a clean cut on the small bars.

## NOTE

The measurements of the block carrier, the space where you insert the block of nougat and the separation of the cutting blades can be modified depending on the product that the customer wishes to obtain.

The manufacturer reserves the right to make partial or total modifications to the measurements or design of this machine without such changes forming grounds for complaint.



## CHARACTERISTICS

<b>MODEL</b>	<b>T-CP</b>
<b>MOTOR POWER OF THE BLOCK CARRIER (kW)</b>	0'37
<b>MOTOR POWER OF THE CUTTING BLADES (kW)</b>	2'2
<b>TOTAL POWER (kW)</b>	2'57
<b>VOLTAGE AT 50 Hz. (Volts)</b>	230 / 400 (three-phase)
<b>PRODUCTION (nougat blocks/minute)</b>	3 (approximate)
<b>NET WEIGHT (kg)</b>	230

## MECÁNICA JIJONENCA, S.A.

MANUFACTURE AND INSTALLATION OF MACHINERY FOR THE FOOD INDUSTRY AND PRESSURE DEVICES  
POLIGONO INDUSTRIAL SEGORB, S/N. – TEL. 96 561 05 85 / 96 561 07 82 – FAX. 96 561 06 52

www.mejisa.com – e-mail: info@mejisa.com  
03100 JIJONA (ALICANTE)

