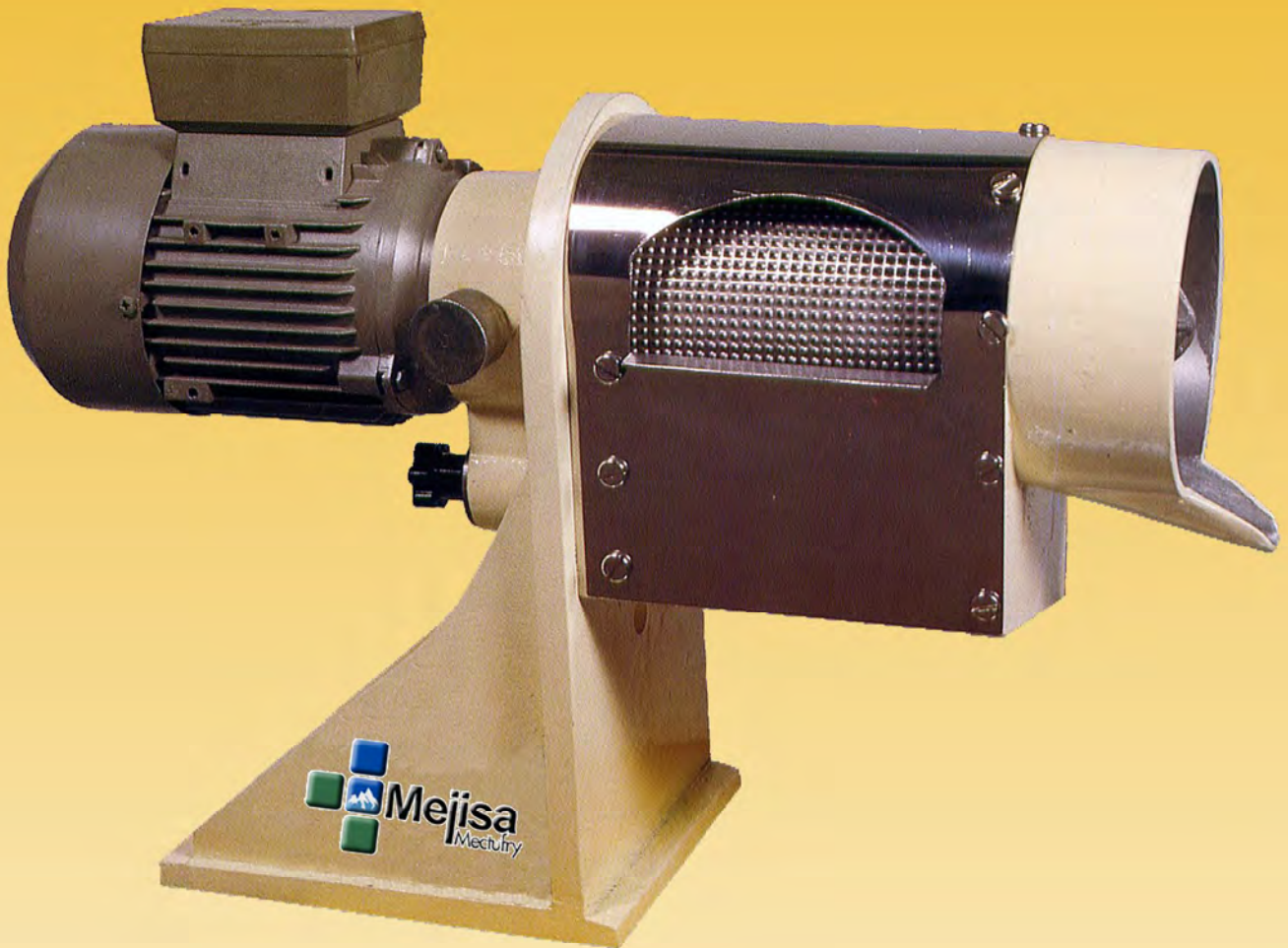


FRUIT ZESTER-SQUEEZER H-RE MAN



H-RE MAN MANUAL FRUIT ZESTER-SQUEEZER

USE

This machine is designed to obtain the zest and juice of lemons, oranges and other similar fruits.

CONSTRUCTION

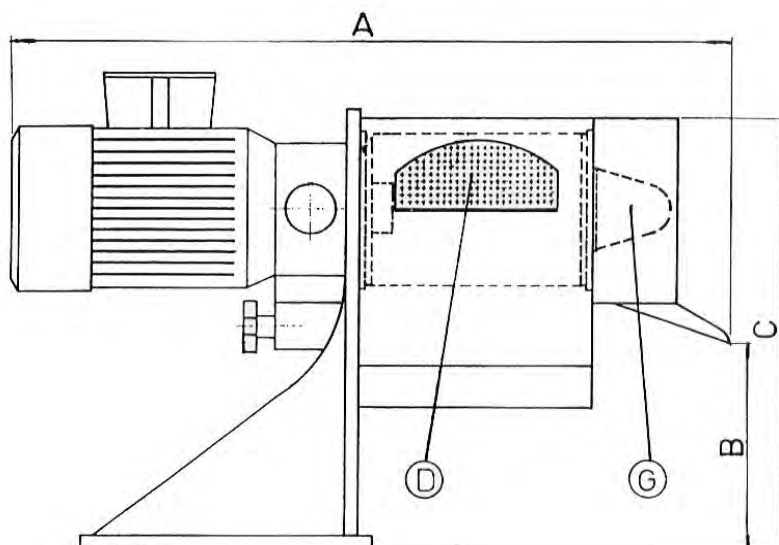
The parts in contact with the fruit are constructed of 18/8 AISI-304 standard stainless steel. The machine chassis is made of L 2.560 standard aluminum alloy, which has a great resistance to corrosion.

OPERATION

Once the machine is started up, hold the fruit to be grated up against the window (D) and turn it until the zest is completely grated. Then, cut the fruit into two halves and push them onto the squeezer head (G) to squeeze the juice from them.

NOTE

The manufacturer reserves the right to make partial or total modifications to the measurements or design of this machine without such changes forming grounds for complaint.



CHARACTERISTICS

MODEL	H-RE MAN		
MEASUREMENTS (mm)	A	B	C
	540	165	320
TOTAL POWER (kW)	0'13		
VOLTAGE AT 50 Hz. (Volts)	230 / 400 (three-phase)		
NET WEIGHT (kg)	12		

MECÁNICA JIJONENCA, S.A.

MANUFACTURE AND INSTALLATION OF MACHINERY FOR THE FOOD INDUSTRY AND PRESSURE DEVICES
POLIGONO INDUSTRIAL SEGORB, S/N. – TEL. 96 561 05 85 / 96 561 07 82 – FAX. 96 561 06 52

www.mejisa.com – e-mail: info@mejisa.com
03100 JIJONA (ALICANTE)

